

HD 090V



OSCILLATION



Tandem roller with oscillation and vibration

- ▶ Ergonomic driver's seat with 2 multifunction control levers
- ▶ Driver's seat including steering wheel and instrument panel rotatable and pivotable
- ▶ Outstanding visibility to the surface and edges of the drums and surroundings
- ▶ Crab steering to extend the working width
- ▶ Universally applicable due to oscillation and vibration
- ▶ Hydrostatic all-wheel drive ensures great climbing pave
- ▶ Turbo-Diesel with high performance and low noise level
- ▶ Sprinkler system with 2 water pumps, spraying jets visible from the driver's seat



TECHNICAL DATA

HD O90V ASC

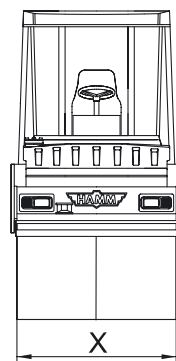
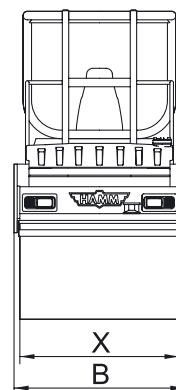
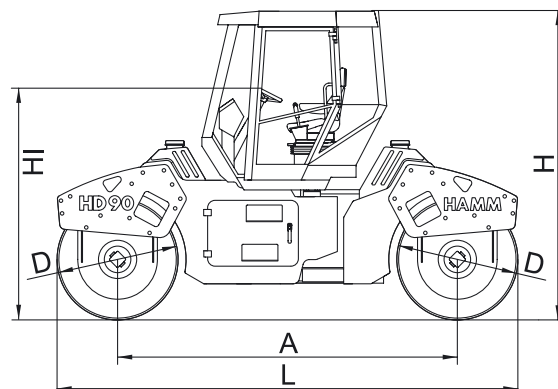
Weights	
Operating weight	kg 9580
Maximum weight	kg 12400
Axle load, front/rear	kg 4940/4640
Static linear load, front/rear	kg/cm 29,4/27,6
Machine dimensions	
Max. working width	mm 1780
Turning radius, inside	mm 3961
Diesel engine	
Manufacturer	DEUTZ
Type	TCD 2012 L04 2V
Number of cylinders	4
Power rat. ISO 14396, kW/PS/rpm	100,0/136,0/2300
Power rating SAE J1349, kW/HP/rpm	100,0/134,0/2300
Drive	
Hydrostatic drive, front/rear	Hydr. motor/hydr. motor
Speed, working gear	km/h 0-7,4
Speed, transportation gear	km/h 0-14,7
Climbing ability, vibration on/off	% 30/40
Vibration system	
Hydrostatic drive. Oscillators and/or vibrator separately switchable. Engine independent automatic frequency control with digital display. Oscillation and vibration manually and automatically switchable.	
Vibration	
Vibration frequency, front, l/ll	Hz 42/50
Amplitude, front, l/ll	mm 0,61/0,39
Centrifugal force, front, l/ll	kN 88/82
Oscillation	
Oscillation frequency, rear, l/ll	Hz 33/39
Tangential amplitude, rear, l/ll	mm 1,37/1,37
Oscillation force, rear, l/ll	kN 103/144
Steering	
Steering, type	Pivoted steering
Steering, actuation	hydrostatic, steer. wheel
Steering lock +/-	Grad 39
Oscillation angle +/-	Grad 10
Brake system	
Service brake, mode of action	hydrostatic
Service brake, actuation	Drive lever
Parking brake, mode of action	Spring-loaded/mechanical
Parking brake, actuation	electr. a. autom.
Emergency brake, mode of action	hydr./mech.
Emergency brake, actuation	Emergency stop
Sprinkler system	
Water sprinkler, type	Pressure
Actuation, sprinkling	interval/manual
Water tank, capacity	Ltr. 900

Equipment
Spring loaded driving position, 1 swivelling and turning driver seat, 2 multifunctional levers, left and right at seat. Indicators for: engine temperature, working hours, fuel tank, control lights and emergency stop button. 2 working lights rear, main battery switch, triple oil filter. Indicators for: hydraulic oil temperature, water level in tanks. CE prepared.

Optional
Panoramic ROPS cabin with: heating, dust-free ventilation, sun shade, interior lighting, front and rear wipers, interior mirror, beacon, ROPS/FOPS, HCQ-Indicator Asphalt, safety belt, speedometer, sound isolation, sun top, pressing and cutting equipment, radio, special paint, sponge roll, bitumen-temperature gauge, back-up alarm.

Further data on request / subject to change

HD O90V ASC - Tandem roller with oscillation and vibration



		HD O90V ASC
Total length	L	4600
Width	B	1810
Total height	H	3040
Wheel base	A	3400
Roller drum width	X	1680
Drum diameter	D	1200
Height loading, min.	HI	2360